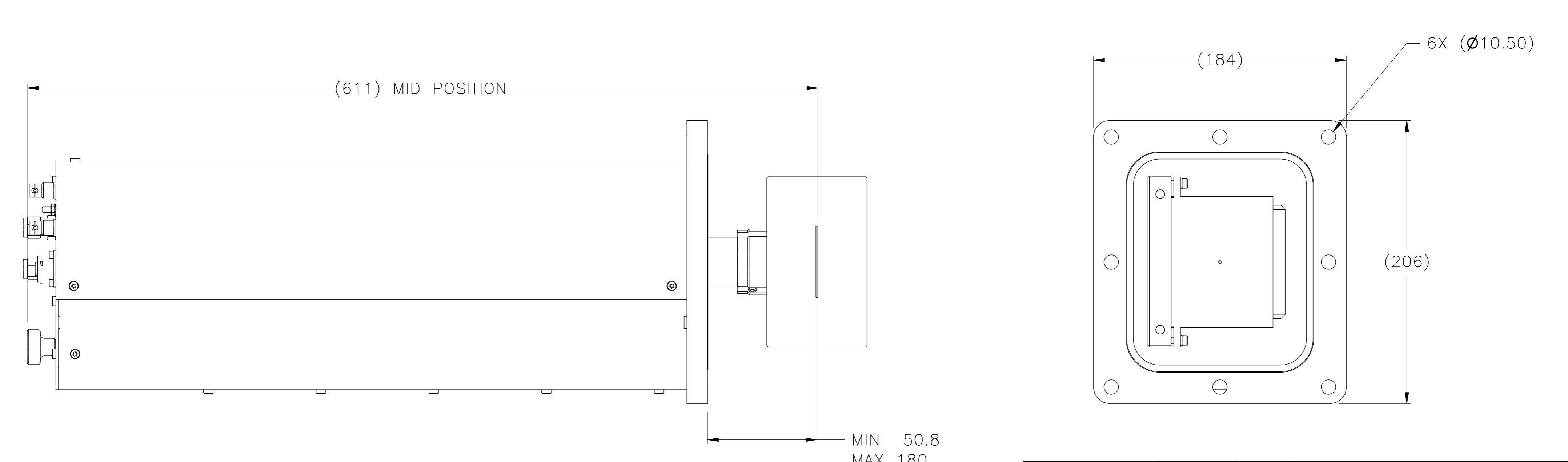
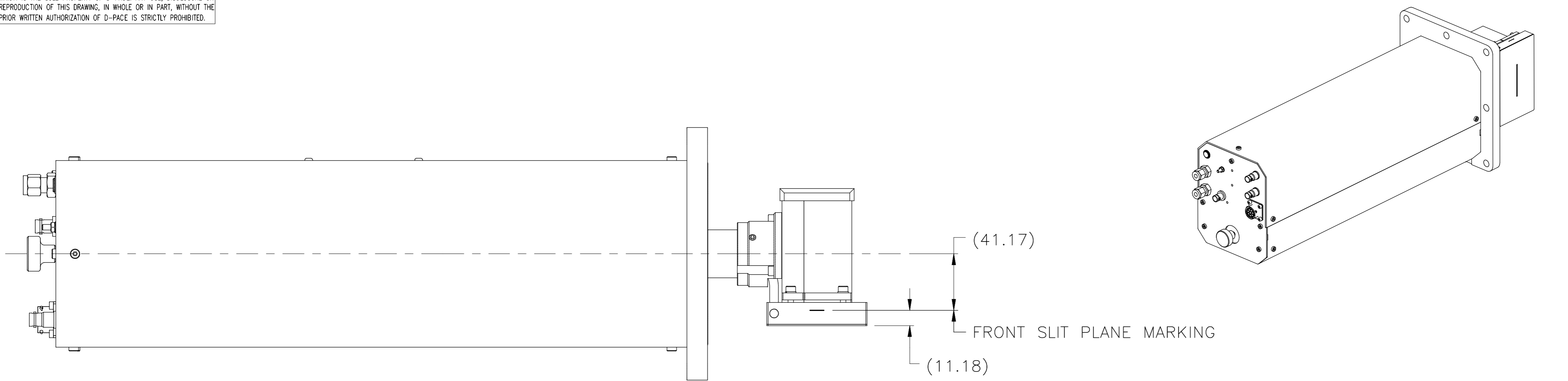



CONFIDENTIALITY
 THE CONTENTS OF THIS DRAWING INCLUDE CONFIDENTIAL INFORMATION WHICH IS THE SOLE PROPERTY OF D-PACE. ANY USE, DISCLOSURE OR REPRODUCTION OF THIS DRAWING, IN WHOLE OR IN PART, WITHOUT THE PRIOR WRITTEN AUTHORIZATION OF D-PACE IS STRICTLY PROHIBITED.



DO NOT SCALE FROM DRAWING METRIC DRAWING ALL DIMENSIONS IN MILLIMETRES TOLERANCES UNLESS OTHERWISE SPECIFIED LINEAR X ± 1 X.X ± 0.3 X.XX ± 0.1 X.XXX ± 0.03 ANGULAR ± 0.5° SURFACE FINISH 1.6✓	APPROVALS	DATE	 DEHNEL - PARTICLE ACCELERATOR COMPONENTS & ENGINEERING, INC. P.O. BOX 201, NELSON BC, CANADA, V1L 5P9 TEL: (250) 352-5162 www.d-pace.com
	DRAWN S.WITHINGTON	17/01/2014	
	CHECKED T.STEWART	19/06/2014	
	DESIGNED D-PACE		
	MODELED S.WITHINGTON	12/09/2013	TITLE
THIRD ANGLE PROJECTION			EMITTANCE SCANNER, ES-4
			SIZE
	ES		DRAWING NO.
			A2
			1800350
			REV
			C
			SCALE 1:2
			WEIGHT 18 kg
			SHEET 2 OF 5