



HIGH POWER SCINTILLATOR

BPV-100

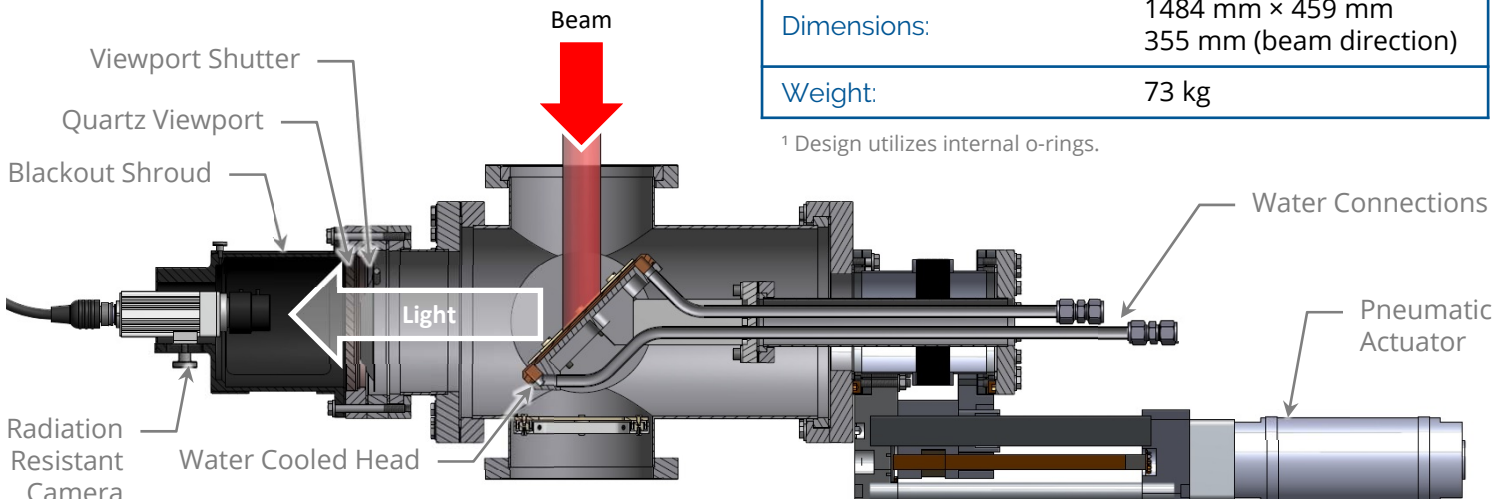
Live beam profile viewer, pneumatically actuated,
2 kW beam power capability.

- Live monitoring of beam shape and intensity.
- Pneumatic insertion of scintillation head.
- Viewport shutter for metallic vapors protection.
- Water-cooled, 2 kW beam power capability.
- Radiation resistant camera, with remote control unit (can be placed in a low radiation location).
- Capable of viewing beams over 100 mm square.



The D-Pace **High Power Scintillator** allows for real-time monitoring of ion beams, providing immediate information during beam tuning and scanning. The insertable, water-cooled head has an Alumina coating, which scintillates in an ion beam. The orientation of the head allows a radiation-resistant camera to view the head, outputting a live video signal which can be viewed by the operator.

When not in use, the scintillation head can be retracted, and a protection shutter used to shield the viewport from metallic vapors.



SPECIFICATION: BPV-100

Max. Beam Power:	2 kW
Max. Power Density:	0.6 W/mm ²
Max. Beam Size:	124 mm × 104 mm
CAMERA SYSTEM	
Camera:	Monochrome
Radiation Tolerance:	> 3 × 10 ⁵ rad.
Video Outputs:	Coaxial & USB 2.0 B
COOLING WATER	
Min. Water Flow Rate:	1.5 L/min
Type & Conductivity:	Deionized, > 10 MΩ·cm
Min. Inlet Temperature:	20 °C
Connections:	1/2" O.D. tube fitting
PNEUMATIC ACTUATOR & VIEWPORT SHUTTER	
Operation:	24 V DC Solenoid
Actuator Connections:	Ø8 mm push tube fittings
Shutter Connections:	Ø4 mm push tube fittings
Limit Switches:	Inserted & Retracted
Switch Type:	N.O. Reed, 5-30 V, 80 mA
Vacuum Compatibility: HV (10 ⁻⁸ Torr) ¹	
Flange Sizes:	8" CF (DN160 CF)
Dimensions:	1484 mm × 459 mm 355 mm (beam direction)
Weight:	73 kg

¹ Design utilizes internal o-rings.