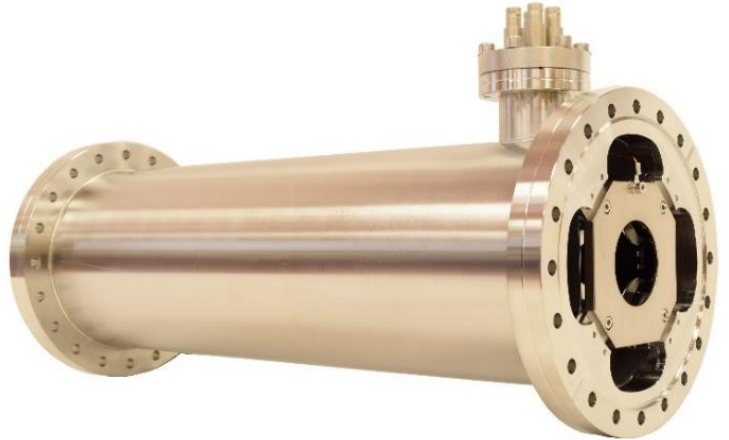




Electrostatic Quad Triplet, 50mm

Model QE 3.50

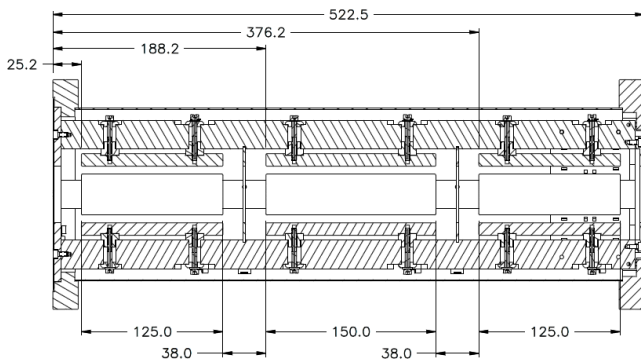
Aperture \varnothing 50mm, Maximum Pole Potential \pm 1 kV



- Pole aperture 50mm
- Pole isolation from ground \pm 1000V (\pm 2000V between opposite poles)
- Grounded collimators upstream from each quad (quantity 3)
- 8" CF Flanges
- Metal and ceramic seals (no elastomers)
- UHV options¹
- Optional power supply, with quantity 6 \pm 1 kV bipolar outputs in single 2U 19" rack mount chassis

SPECIFICATION: QE 3.50

	Pole Length (mm)	
	Physical	Effective
Quadrupole 1	125	150
Quadrupole 2	150	175
Quadrupole 3	125	150
Pole Aperture	\varnothing 50.0 mm	
Collimator Aperture	\varnothing 50.0 mm, Qty 3	
Overall Length	522.5 mm	
Flanges, Beam Pipe ¹	8" CF (DN160CF)	
Flanges, HV Feedthru	2-3/4" CF (DN40CF)	
Vacuum	HV (10^{-9} Torr)	
HV Connectors	SHV (Qty 6)	
Isolation, Pole to Ground	\pm 1000 V	
Isolation, Pole to Pole	\pm 2000 V	
Mechanical Support	Flange supported ¹	



Notes:

1. Contact D-Pace for customization options.
2. D-Pace reserves the right to update specifications as part of its ongoing product improvement program.